




# Assembly Instruction for Worktop & Heavy Duty Frames

A.  M8x15 x 20 pcs

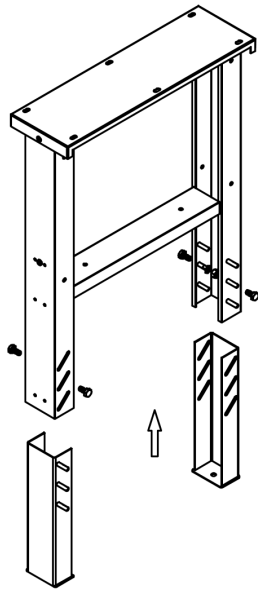
B.  M8 x 24 pcs

C.  M8x15 x 4 pcs

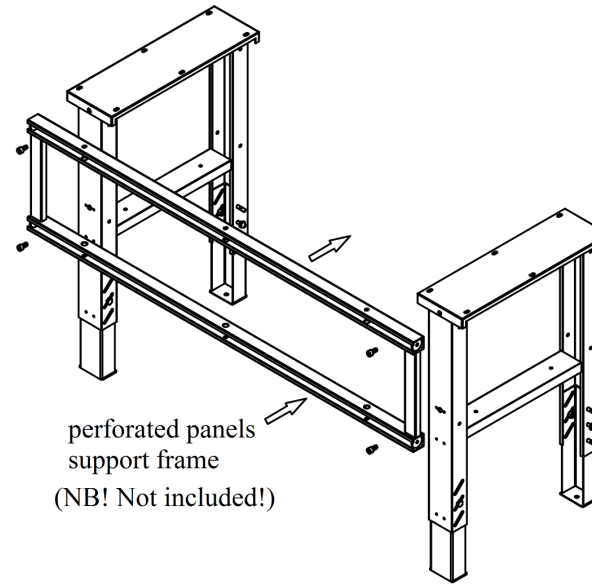
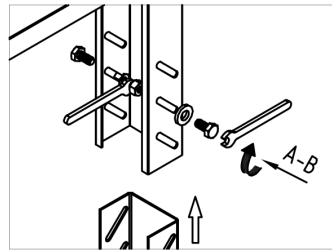
D.   $\varnothing 8.5 \times 36$  pcs

E.  Wrench 13 x1pcs

F.  Key 6x1pcs

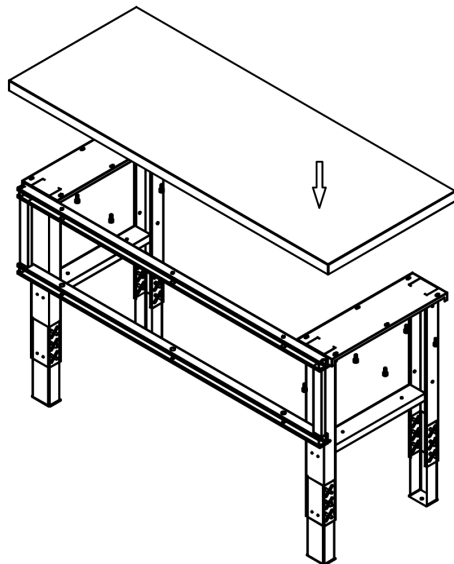
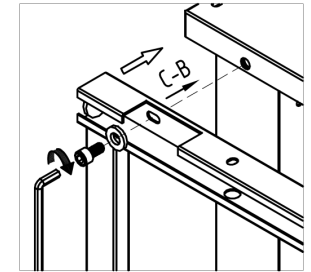


## Step 1

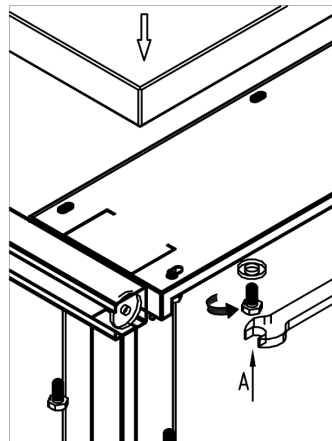


perforated panels  
support frame  
(NB! Not included!)

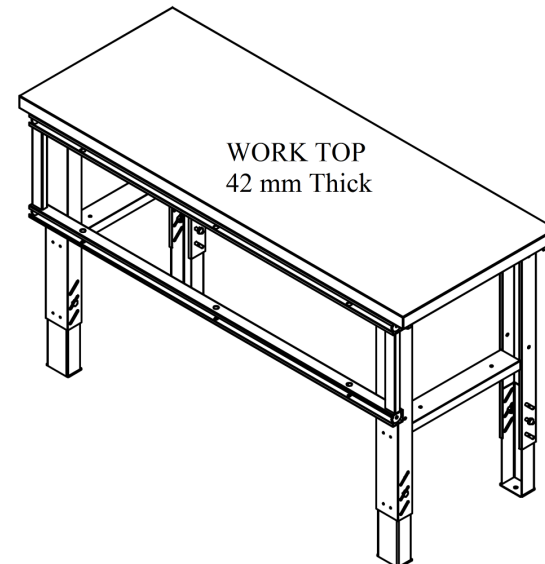
## Step 2



## Step 3



## Step 4



WORK TOP  
42 mm Thick